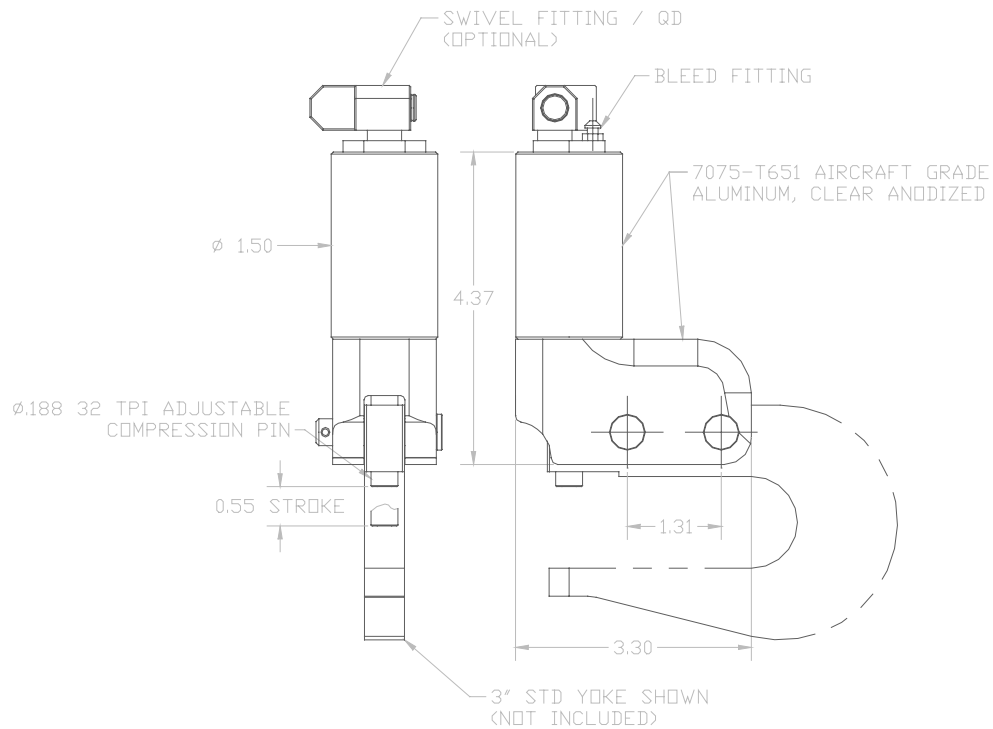
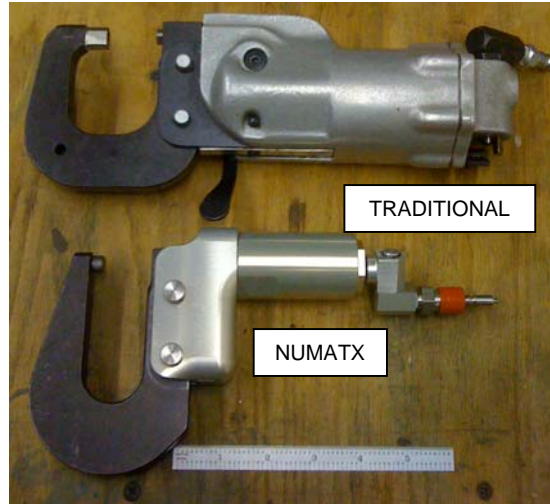


NUMATX

MODEL 3060-1 STANDARD C-YOKE SQUEEZER PAT. PEND.



- *Produces 3,000 Lbf using NUMATX Pressure Intensifiers*
- *Weighs only 1.20 Lb (W/O YOKE)*
- *Accepts industry standard CP-214 style C-yokes*
- *Very compact*

DAYTON, OHIO U.S.A.

numatx@att.net