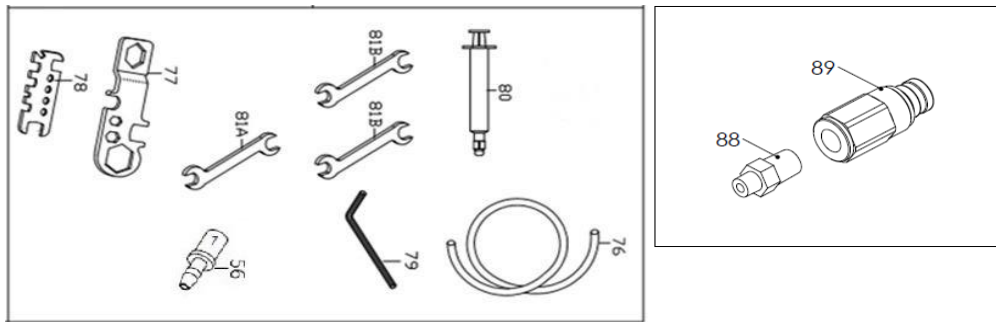
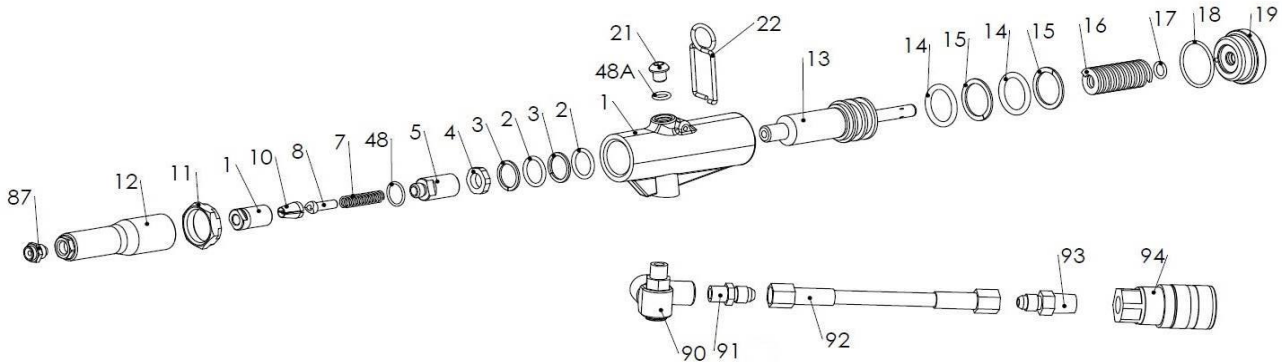


NXBR-532 5/32"(4.0mm) Air Hydraulic Riveter



TECHNICAL DATA

Traction Power: 1100 (500)lbf(kgf)
 Stroke Length: 15mm
 Net Weight: 3.8(1.7)lbs(kgs)
 Nosepieces Equipped: 5/32(4.0), 1/8(3.2), 3/32(2.4)inch(mm)
 Max. Capacity: Max. 5/32"(4.0mm)blind rivets in all materials

PARTS LIST

Index #	Part #	Description	Q'ty	Index #	Part #	Description	Q'ty	US\$/PC
1	520111BL	Hydraulic Section	1	*46.	OR0408	O-RING	2	
*2.	OR2025	O-RING	2	47	919202A	Valve Stem	1	
*3.	BR2025	Back-Up Ring	2	*48	OR0711	O-RING	2	
4	214306	Nut	1	*48A	OR0711A	O-RING	1	
5	317305	Jaw Housing Coupler	1	56	9229060	Adapter	1	
7	317308	Spring	1	76	612902	PU Tube (OPT.)	1	
8	520302	Jaw Pusher	1	77	612904	Multi-Wrench (A)	1	
*9.	317303	Jaw	2	78	918905	Multi-Wrench (B)	1	
10	520304	Jaw Hosing	1	79	314755	5mm Hex. Wrench	1	
11	918106	Lock Nut	1	80	9229061	30CC Oiler	1	
12	317105	Head	1	81A.	144905	17x19 Wrench	1	
13	520301	Hydraulic Plunger	1	81B	144903	10X11 Wrench	2	
*14.	OR2229	O-RING	2	87	612703	Nose Piece 3/32" (2.4mm)	1	
*15.	BR2229	Back-Up Ring	2		612704	Nose Piece 1/8" (3.2mm)	1	
16	922309	Return Spring	1		612705	Nose Piece 5/32" (4.0mm)	1	
17	OR0812	O-RING	3	88	9207604	Adapter	1	
18	OR2832	O-RING	1	89	9207603	Hydraulic Male Quick Coupler	1	
19	515102	Rear Gland	1	90	Z3050900ZT	Air Inlet Assembly	1	
20	OR3542	O-RING	1	91	9207602A	Hydraulic tube adaptor	1	
21	HR00812508	Set Screw	1	92	H18L	1.8m length hydraulic hose(1/8")	1	
22	258801	Hanger	1	93	9207602	Hydraulic tube adaptor	1	
				94	9207605	Hydraulic Female Quick Coupler	1	